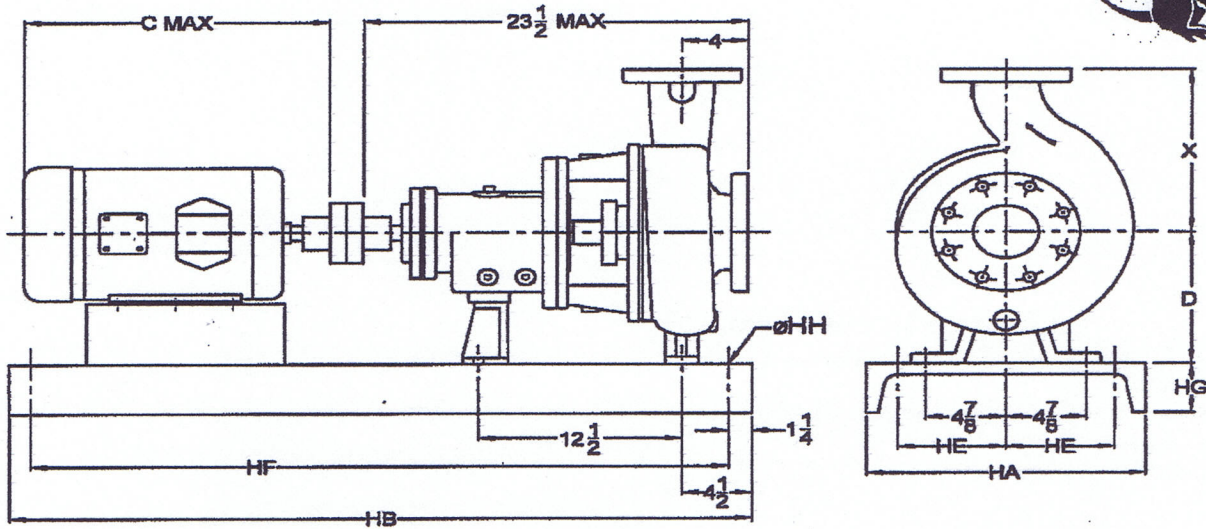


AARDVARK Pump A196 MTA ANSI B73.1 Pump Drawing



Model	ANSI No.	Discharge	Intake	X	D	Shaft Dia.	Keyway	Weight	Check One
2x3-6	A10	2	3	8 1/4	8 1/4	1 1/8	1/4 x 1/8	185	
3x4-7	A70	3	4	11	8 1/4	1 1/8	1/4 x 1/8	225	
2x3-8	A60	2	3	9 1/2	8 1/4	1 1/8	1/4 x 1/8	205	
3x4-8	A70	3	4	11	8 1/4	1 1/8	1/4 x 1/8	225	
3x4-8G	A70	3	4	11	8 1/4	1 1/8	1/4 x 1/8	225	
1x2-10	A05	1	2	8 1/2	8 1/4	1 1/8	1/4 x 1/8	205	
1 1/2x3-10	A50	1 1/2	3	8 1/2	8 1/4	1 1/8	1/4 x 1/8	225	
2x3-10	A60	2	3	9 1/2	8 1/4	1 1/8	1/4 x 1/8	235	
3x4-10	A70	3	4	11	8 1/4	1 1/8	1/4 x 1/8	270	
3x4-10H	A40	3	4	12 1/2	10	1 1/8	1/4 x 1/8	280	
4x6-10	A80	4	6	13 1/2	10	1 1/8	1/4 x 1/8	310	
1 1/2x3-13	A20	1 1/2	3	10 1/2	10	1 1/8	1/4 x 1/8	250	
2x3-13	A30	2	3	11 1/2	10	1 1/8	1/4 x 1/8	280	
3x4-13	A40	3	4	12 1/2	10	1 1/8	1/4 x 1/8	335	
4x6-13	A80	4	6	13 1/2	10	1 1/8	1/4 x 1/8	410	

Max Nema	Baseplate	C	HA	HB	HE	HF	HG	HH	Check One
184T	245	16	12	45	4 1/2	42 1/2	3	3/4	
215T	252	20	15	52	6	49 1/2	3 3/8	3/4	
286T	258	27	18	58	7 1/2	55 1/2	4	1	
365T	264	34	18	64	7 1/2	61 1/2	5 1/2 ¹ -4 3/4 ²	1	
405TS	268	36	24	68	9 1/2	65 1/2	6 1/2 ¹ -4 3/4 ²	1	
449TS	280	39	24	80	9 1/2	77 1/2	7 1/2 ¹ -4 3/4 ²	1	

¹Pump with 8 1/4" D Dimension

²Pump with 10" D Dimension

MAT'L OF CONSTR:
 CONDITIONS: GPM TDH
 IMPELLER:
 TAG:
 P.O.
 S.N.:
 WITH: CPLG, GRD, MECH SEAL
 HP: RPM: FRAME:

Certified only when signed

Drawn: _____
 Date: _____
 Approved: _____
 Date: _____
 MODEL: _____